

Option module installation: Automation (Applications)

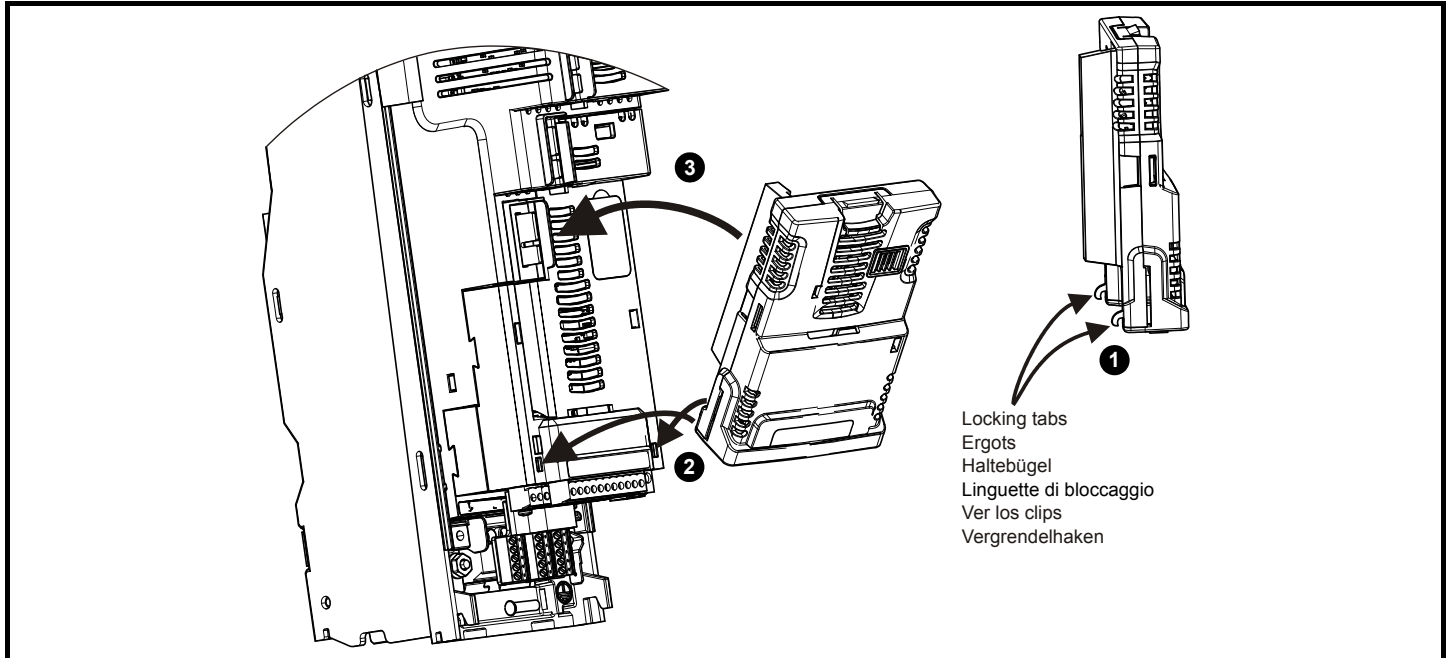


WARNING: When an SI-Applications Plus or SI-Register module is installed in a drive, the drive must not be used on a corner-grounded or centre-grounded delta supply if the supply voltage is above 300 V. If this is required, please contact the supplier of the drive for more information.



CAUTION: Power down the drive before installing / removing option modules. Failure to do so may result in damage to the product. Refer to section *Safety Information* in the appropriate drive manual.

Installing a large option module



Identify the two locking tabs on the rear of the large option module (1). Hold the option module at a slight angle to the drive, and insert the locking tabs into the slots (2). Push the top of the module into the drive until it locates in the drive body (3). For further information, refer to the appropriate *Drive User Guide*.

Module	Terminal information																																																	
SI-Applications Plus SI-Register	<table border="1"> <tr> <td>1</td><td>2</td><td>3</td><td>4</td><td>5</td> <td>6</td><td>7</td><td>8</td> <td>9</td><td>10</td><td>11</td><td>12</td><td>13</td> </tr> <tr> <td>EIA-485</td><td>Function</td> <td>CTNet</td><td>Function</td> <td>Digital I/O</td><td>Function</td> </tr> <tr> <td>1</td><td>Isolated 0V</td> <td>6</td><td>CTNet A</td> <td>9</td><td>Digital 0V</td> </tr> <tr> <td>2</td><td>EIA-485 /Rx</td> <td>7</td><td>CTNet shield</td> <td>10</td><td>Digital input 0</td> </tr> <tr> <td>3</td><td>EIA-485 Rx</td> <td>8</td><td>CTNet B</td> <td>11</td><td>Digital input 1</td> </tr> <tr> <td>4</td><td>EIA-485 /Tx</td> <td></td><td></td> <td>12</td><td>Digital output 0</td> </tr> <tr> <td>5</td><td>EIA-485 Tx</td> <td></td><td></td> <td>13</td><td>Digital output 1</td> </tr> </table>	1	2	3	4	5	6	7	8	9	10	11	12	13	EIA-485	Function	CTNet	Function	Digital I/O	Function	1	Isolated 0V	6	CTNet A	9	Digital 0V	2	EIA-485 /Rx	7	CTNet shield	10	Digital input 0	3	EIA-485 Rx	8	CTNet B	11	Digital input 1	4	EIA-485 /Tx			12	Digital output 0	5	EIA-485 Tx			13	Digital output 1
	1	2	3	4	5	6	7	8	9	10	11	12	13																																					
EIA-485	Function	CTNet	Function	Digital I/O	Function																																													
1	Isolated 0V	6	CTNet A	9	Digital 0V																																													
2	EIA-485 /Rx	7	CTNet shield	10	Digital input 0																																													
3	EIA-485 Rx	8	CTNet B	11	Digital input 1																																													
4	EIA-485 /Tx			12	Digital output 0																																													
5	EIA-485 Tx			13	Digital output 1																																													
	<p>In order to maintain the immunity levels of the SI-Applications Plus and SI-Register modules, we recommend the following:-</p> <ul style="list-style-type: none"> Fit a ferrite ring to each CTNet cable close to the module. One ferrite ring is included with the module. The part number for additional ferrite rings is 4200-7427. Connect a 40 mm length of wire between the 0V (terminal 9) on the SI-Applications Plus or SI-Register module, and 0V on the drive control terminals. 																																																	

For full details on any of the option modules, please refer to the appropriate option module user guide.



0478-0013-06