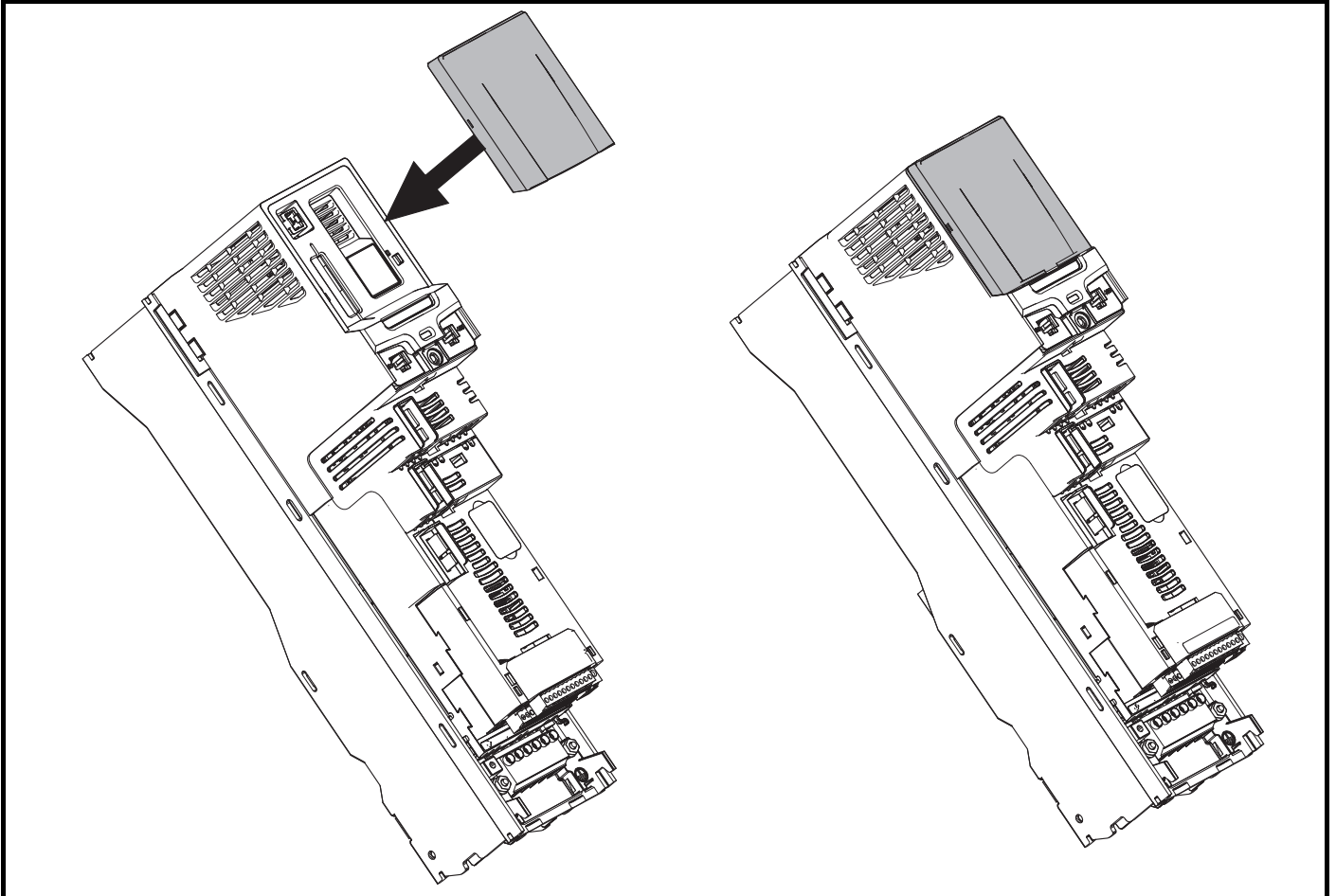


# Unidrive M600, M700, M800 Keypad Blanking Cover Installation Sheet



The Keypad blanking cover is intended for use only when attached to the drive in the manner shown in this installation sheet. Operation in any other fashion may cause a hazard, and invalidates the warranty.

## Installation and removal of the Keypad blanking cover



To install, align the keypad blanking cover and press gently in the direction shown until it clicks into position.

To remove, reverse the installation instructions.



0478-0018-02